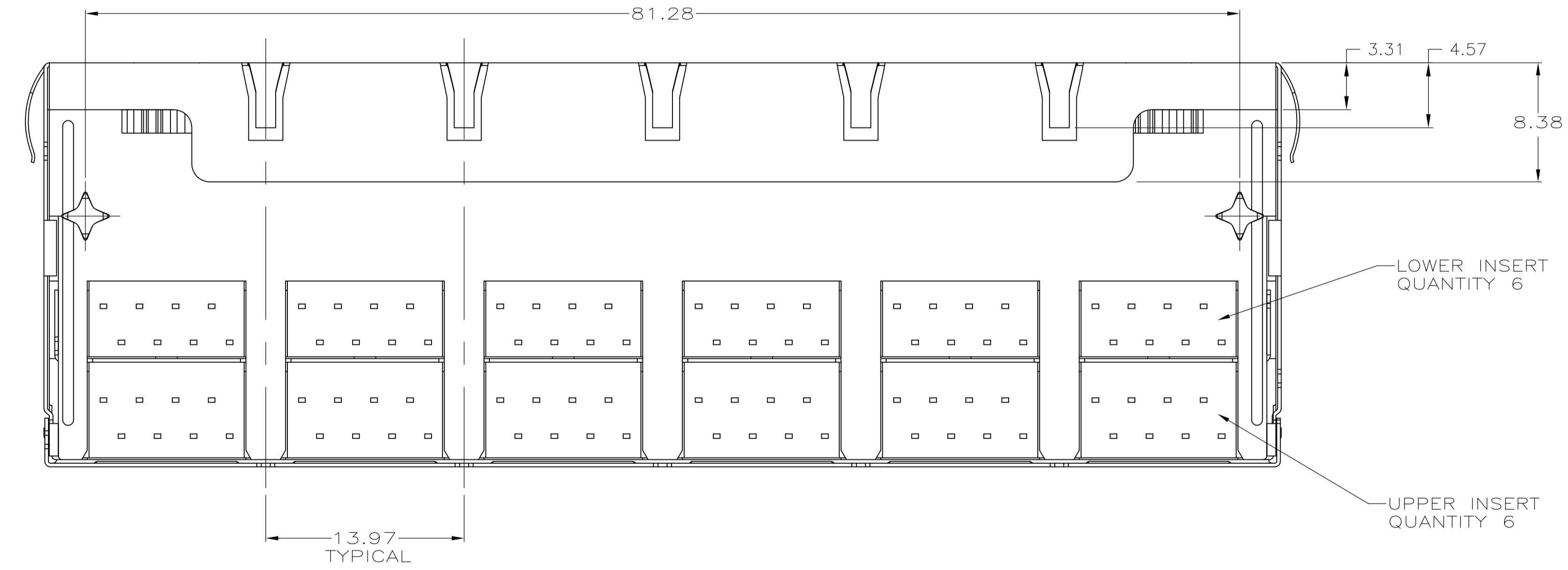
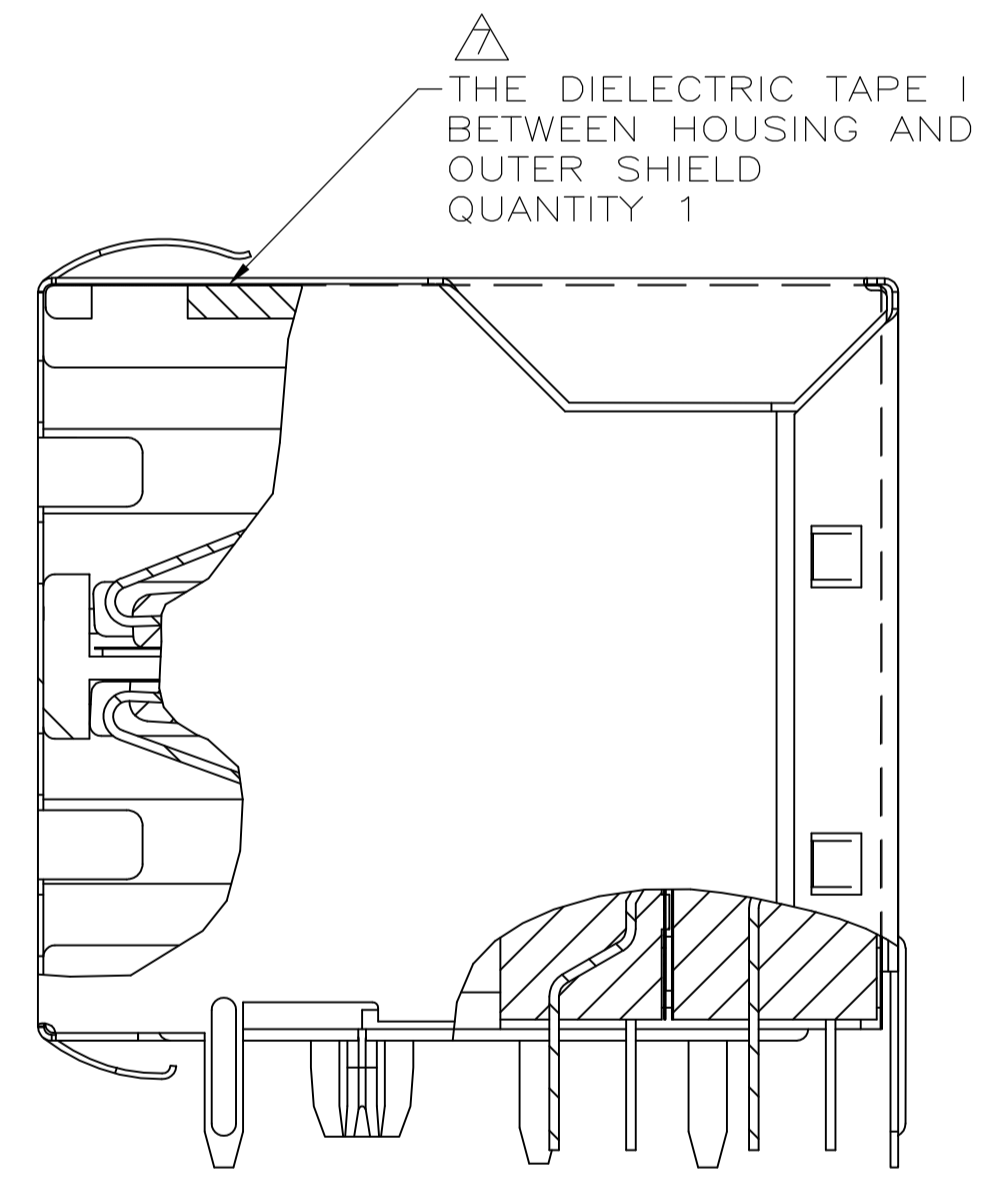
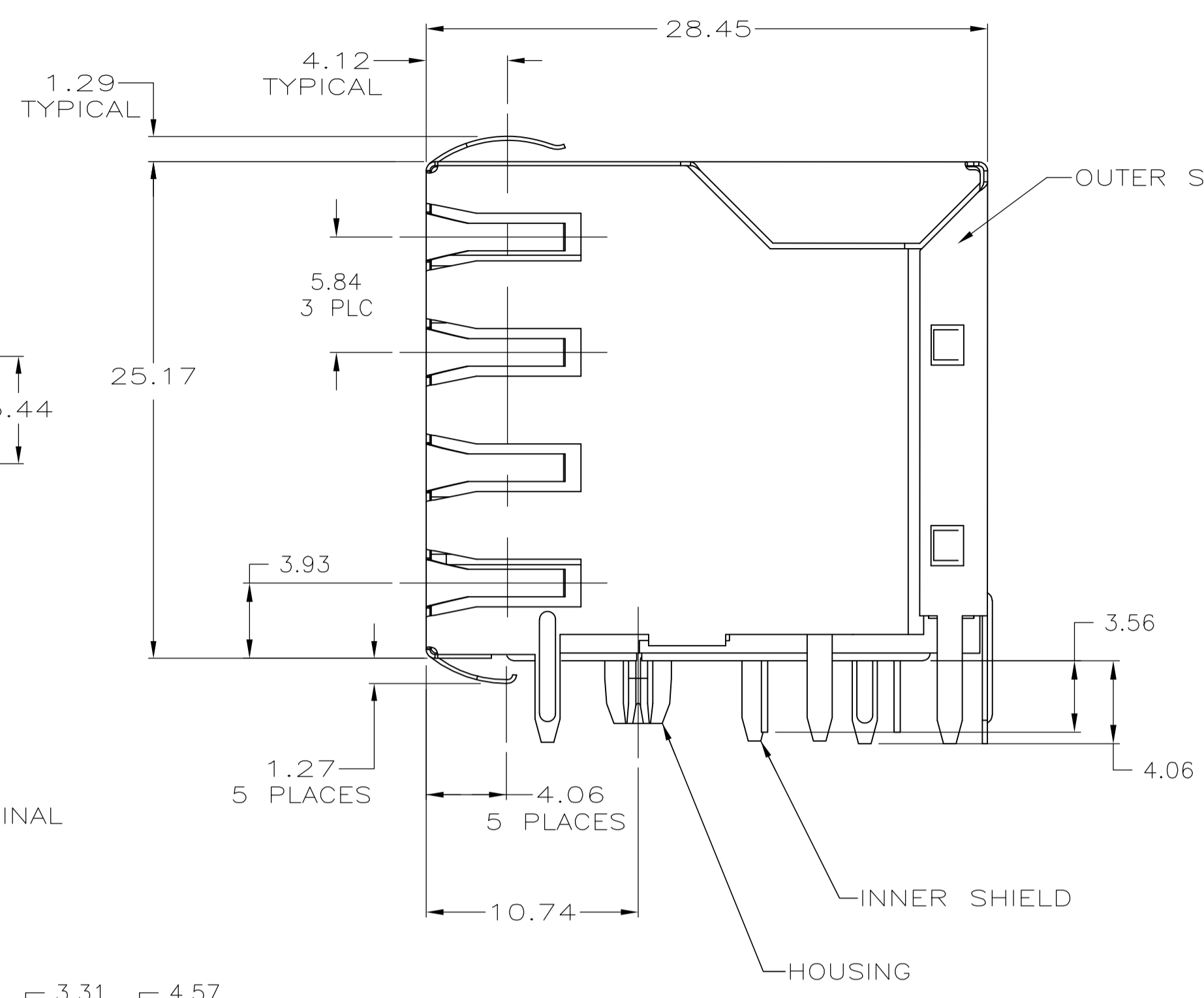


PN 6116000-2 & -3 SHOWN

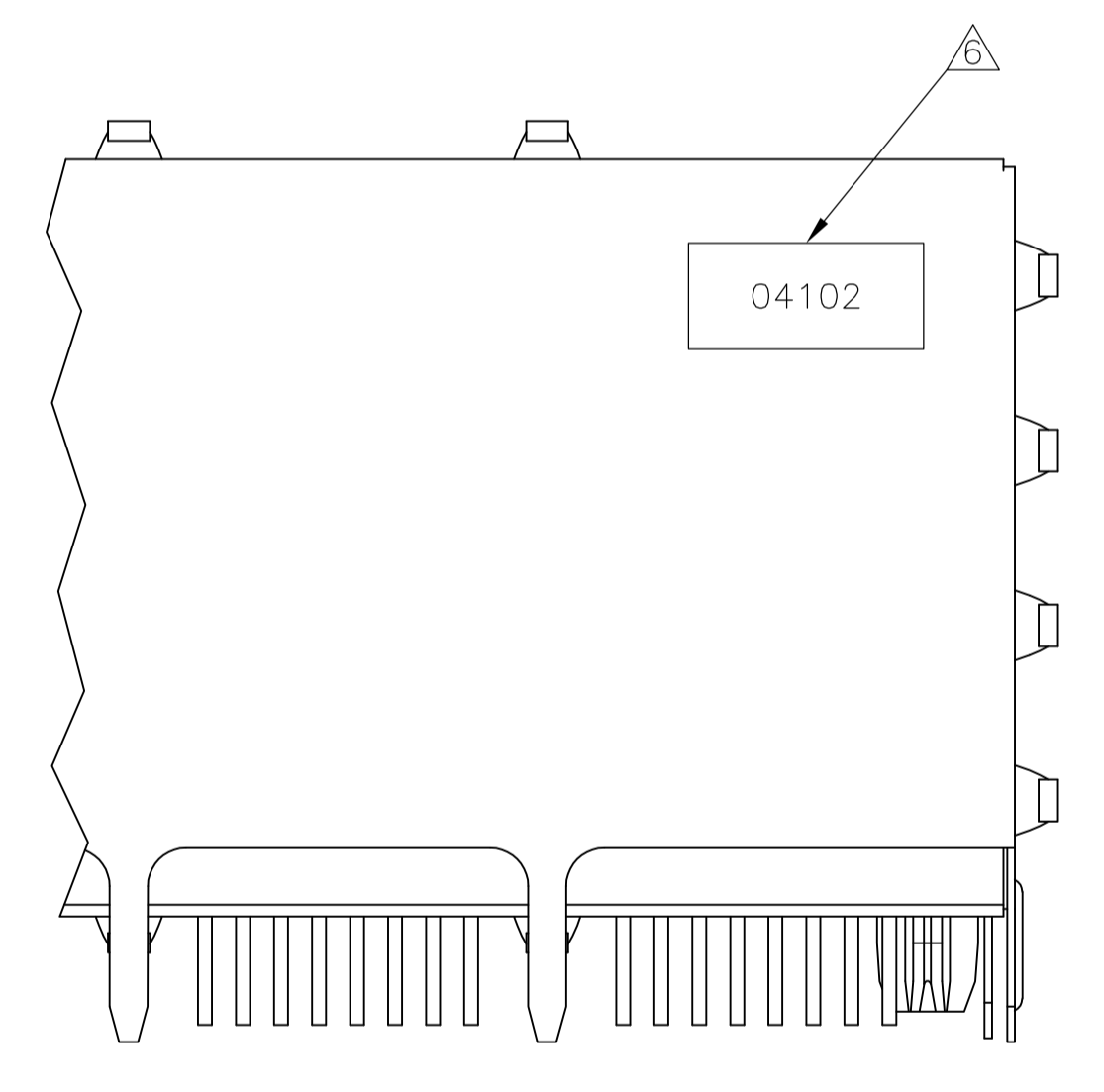


PN 6116000-1 & -4 SHOWN  
(WITH SHORT BOTTOM PANEL GROUND TABS AND 3 REAR TABS)



SECTION VIEW ONLY FOR PN 6116000-4

- ⚠ MATERIAL: HOUSING - HIGH TEMPERATURE THERMOPLASTIC, BLACK, UL 94V-0. OVERMOLDED TERMINAL ARRAY - PBT, BROWN. TERMINALS - 0.33 [.013] THICK PHOSPHOR BRONZE PLATED WITH 1.27μm [.000050] MIN THICK HARD GOLD IN LOCALIZED AREA AND 3.81μm [.000150] MIN THICK MATTE TIN IN SOLDER AREA OVER 1.27μm [.000050] MIN THICK NICKEL UNDERPLATE. OUTER SHIELD: 0.196 [.0077] THICK COPPER ALLOY PLATED 1.27μm [.000050] MIN NICKEL, PCB GROUND TABS DIPPED WITH 2.03μm [.000080] MIN TIN.
- ⚠ JACK CAVITY CONFORMS TO FCC RULES AND REGULATIONS, PART 68 SUBPART F.
- ⚠ INNER SHIELD TABS FINAL FORMED AND SIZED BY MATING WITH MODULAR PLUGS TO REDUCE INITIAL MATING INSERTION FORCE. APPLIES TO PN 6116000-1 & -4 ONLY.
- ⚠ USE #30 DRILL BIT OR 3.25mm DRILL BIT WHEN PRODUCING THESE PCB HOLES.
- 5. ALL DIMENSIONS NOMINAL UNLESS OTHERWISE SPECIFIED.
- ⚠ DATE CODE LOCATED ON REAR OF PART APPROX AS SHOWN: FIRST 2 DIGITS ARE LAST 2 DIGITS OF YEAR, SECOND 2 DIGITS ARE MANUFACTURING WORK WEEK, LAST DIGIT IS DAY OF WEEK, WITH SUNDAY=1.
- ⚠ THE DIELECTRIC TAPES ARE ONLY FOR PN 6116000-4.
- ⚠ THE PN 6116000-4 IS PRELIMINARY.
- ⚠ DIELECTRIC WITHSTANDING VOLTAGE: 2250 VDC BETWEEN CONTACT AND SHIELD.
- ⚠ WITH IMPROVED CONTACT, REDUCING CONFLICTS WITH PLUG.



PARTIAL REAR VIEW

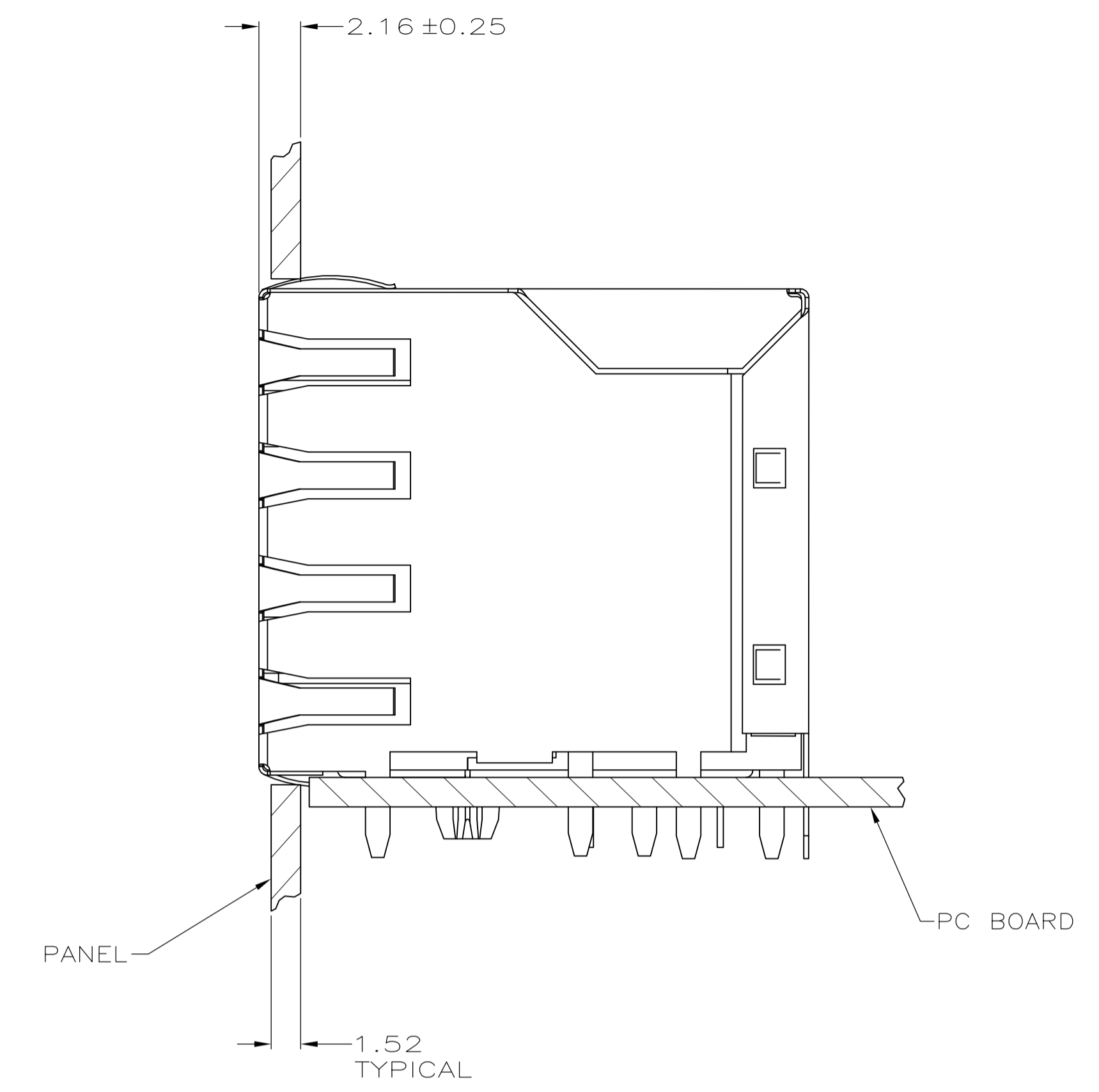
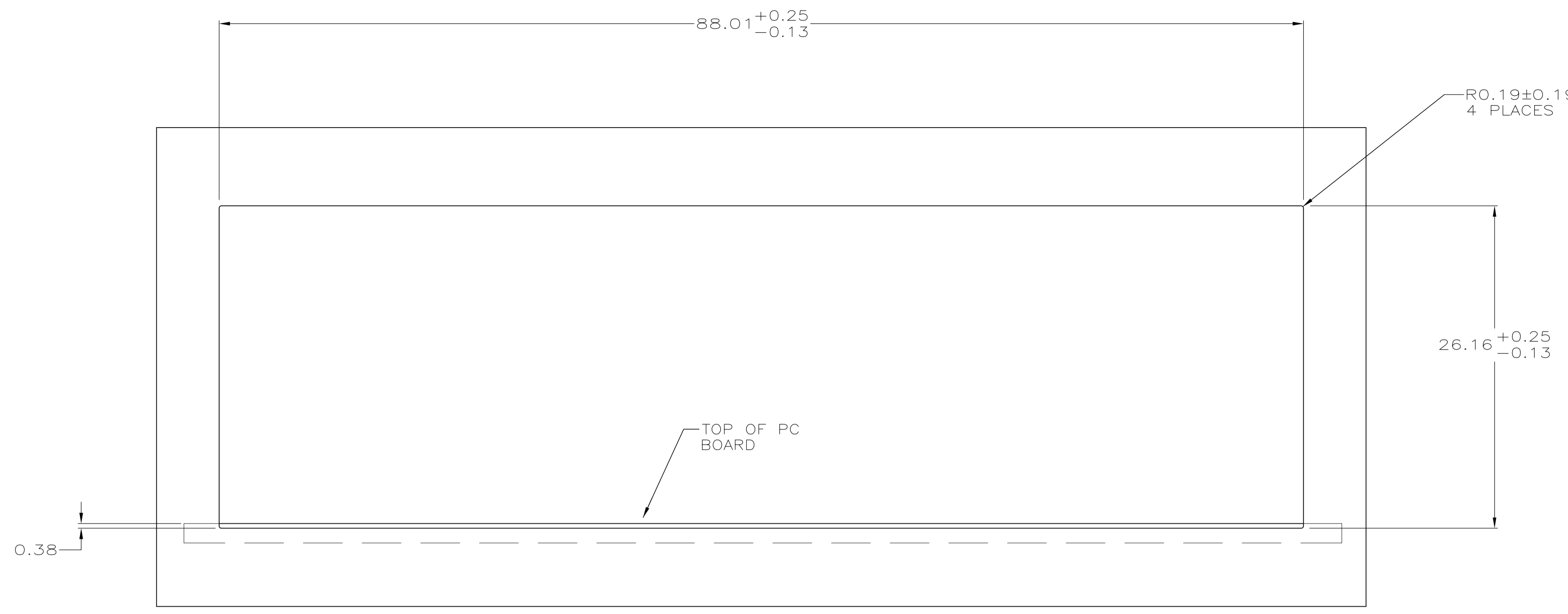
NICKEL	A,C,E	3	⚠ ⚠ 6116000-4 ⚠ ⚠
NICKEL	A,B,C,D,E	5	6116000-3
NICKEL	A,B,C,D,E	5	6116000-2
NICKEL	A,C,E	3	⚠ ⚠ 6116000-1
⚠ SHIELD PLATING	HOLES USED	NO. OF REAR TABS	PART NUMBER

THIS DRAWING IS A CONTROLLED DOCUMENT.

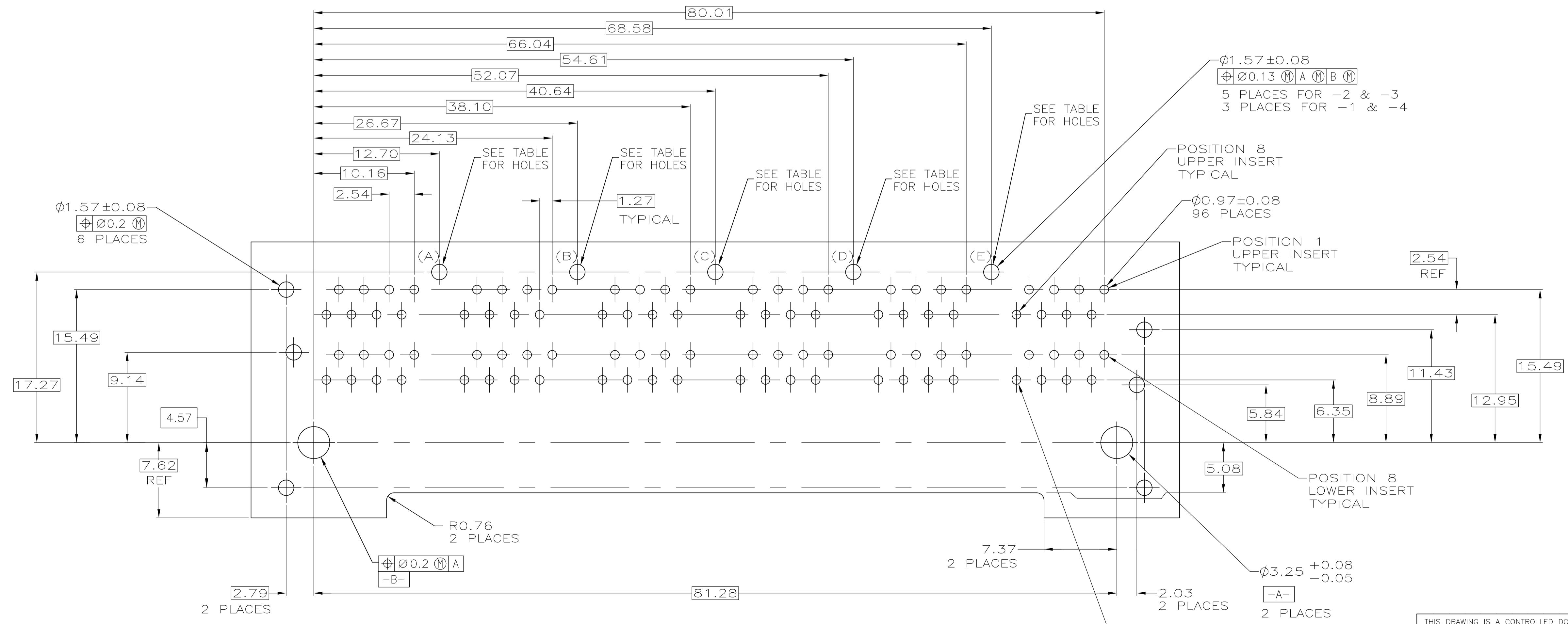
DIMENSIONS: mm	TOLERANCES UNLESS OTHERWISE SPECIFIED:	DIN L VARELA - DOCKS 08/JUN2005	APVD S. FLICKINGER 08/JUN2005	NAME	RESTRICTED TO
0 PLC ± 0.13	1 PLC ± 0.13	CHK J. WESTMAN 08/JUN2005	PRODUCT SPEC	108-1163-2	SIZE
2 PLC ± 0.13	3 PLC ± 0.13	NAME	APPLICATION SPEC	114-2048	SCALE
4 PLC ± 0.13	ANGLES ±	DATE CODE	DRAWING NO	A1 00779	SHEET
MATERIAL	FINISH	WEIGHT	REV	6116000	1 OF 2
		CUSTOMER DRAWING	SCALE	4:1	REV

STE TE Connectivity

STACKED MODULAR JACK ASSEMBLY, 2x6 PORT, RJ45, SHIELDED, WAVE PANEL GROUNDS, CAT 5/GIGABIT ETHERNET



SUGGESTED PANEL CUTOUT DIMENSIONS



PC BOARD LAYOUT VIEWED FROM COMPONENT SIDE

THIS DRAWING IS A CONTROLLED DOCUMENT.		DIN L VARELA - DOCKS 08/JUN2005	TE Connectivity
DIMENSIONS: mm		CHK J. WESTMAN 08/JUN2005	
TOLERANCES UNLESS OTHERWISE SPECIFIED:		APVD S. FLICKINGER 08/JUN2005	NAME
0 PLC ± 0.13		PRODUCT SPEC	STACKED MODULAR JACK ASSEMBLY, 2x6 PORT, RJ45, SHIELDED, WAVE PANEL
1 PLC ± 0.13		APPLICATION SPEC	108-1163-2
2 PLC ± 0.13		SIZE	114-2048
3 PLC ± 0.13		SCALE	4:1
4 PLC ± 0.13		WEIGHT	A1 00779 C=6116000
ANGLES ±		CUSTOMER DRAWING	RESTRICTED TO
MATERIAL 1		FINISH 1	SCALE 4:1 SHEET 2 OF 2 REV D